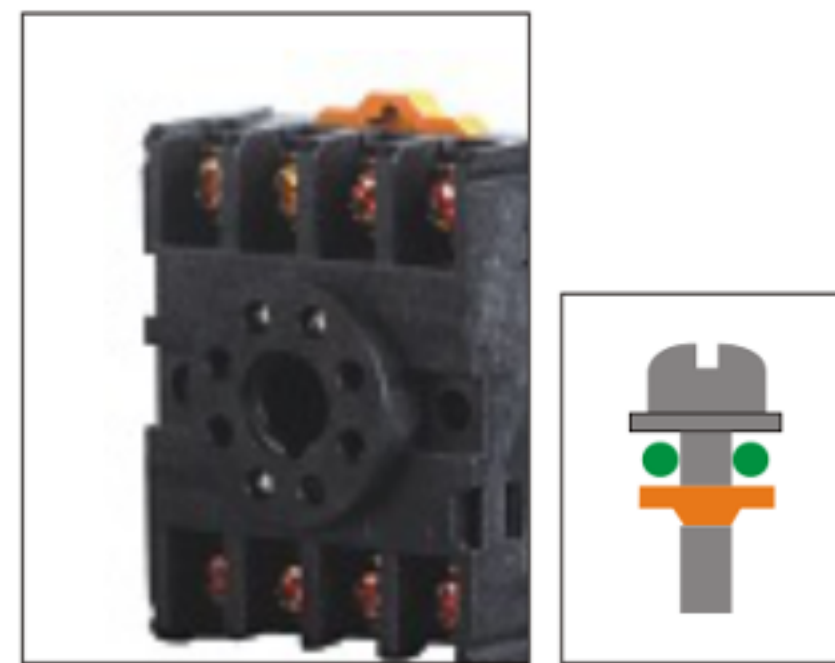




PF083A



PF083A



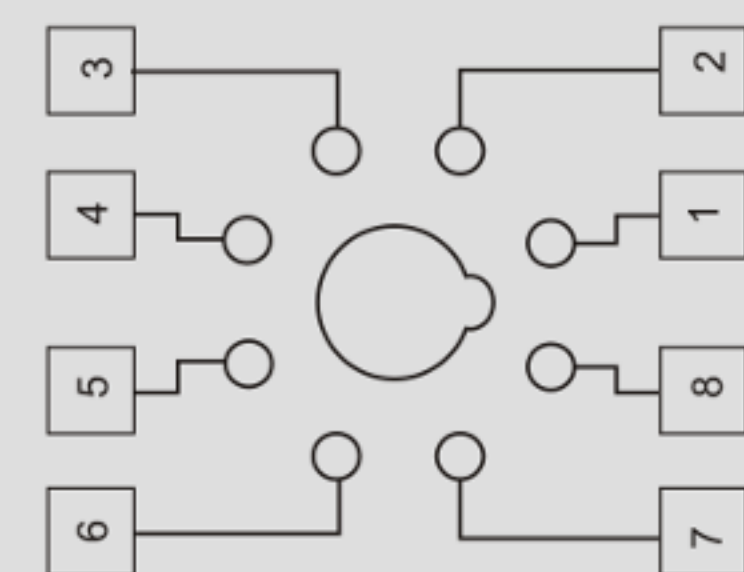
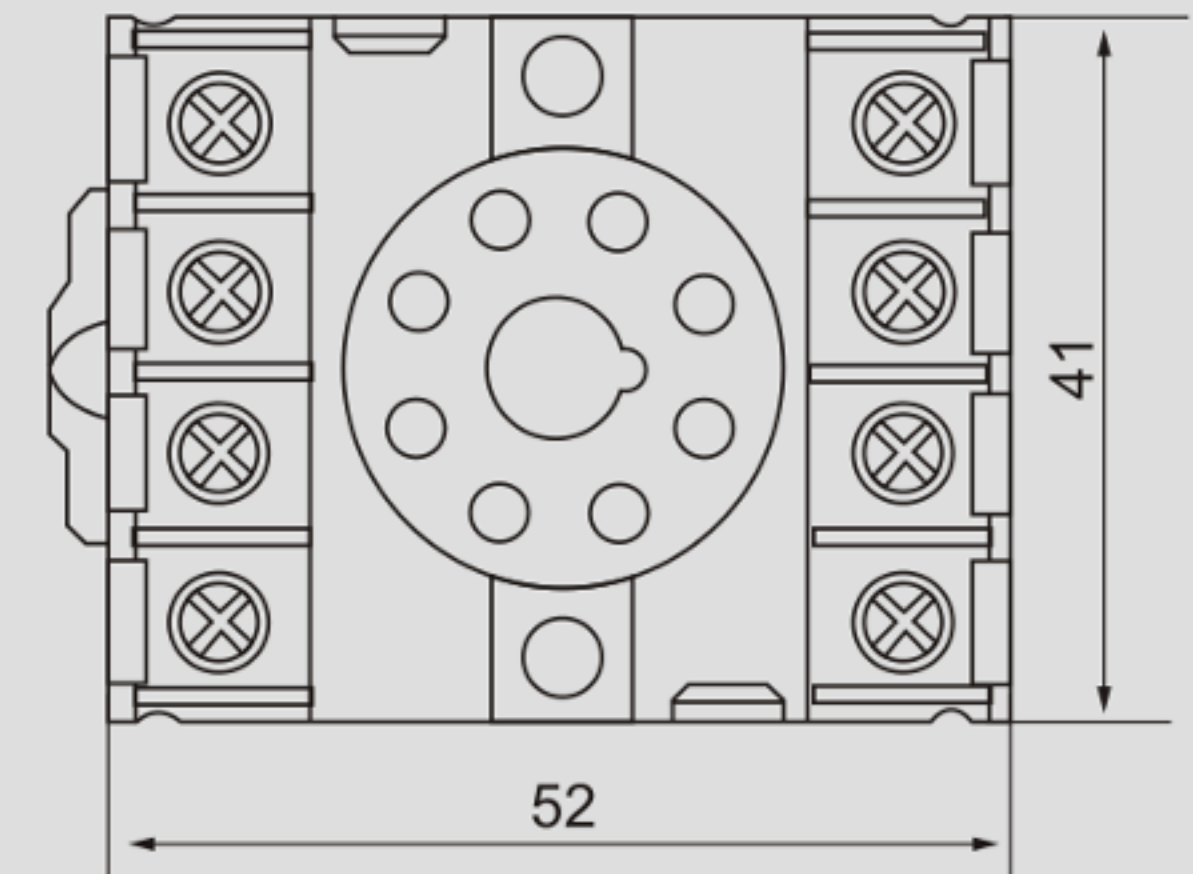
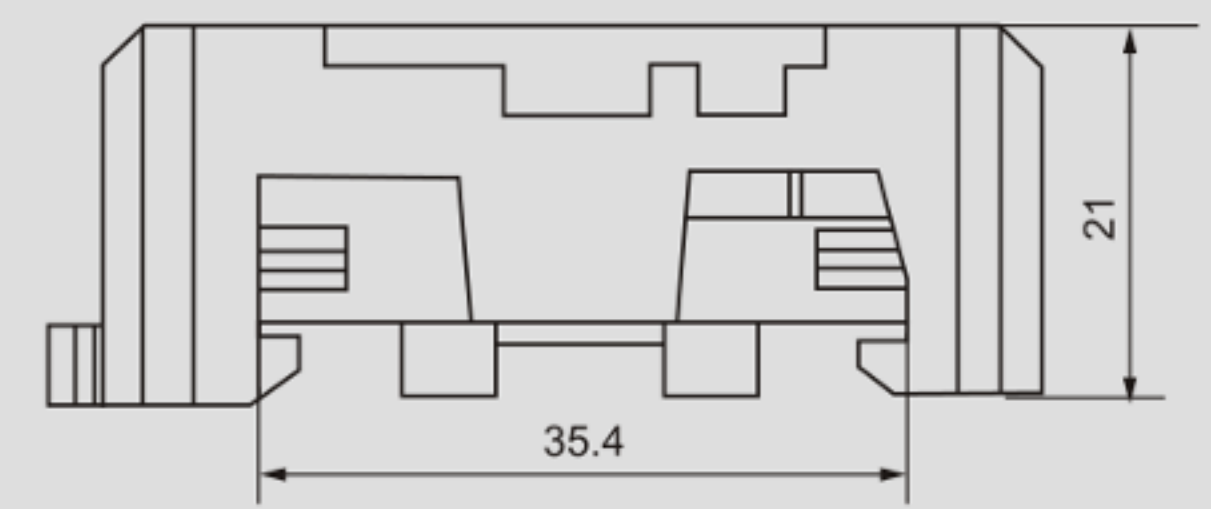
**Specification**

Rated load	Current / Voltage	A/VAC	10/300
Dielectric strength	Coil/Contact	V/S	2000
	Between contacts	V/S	2000
External connection wire		AWG/mm <sup>2</sup>	20-16/0.5-1.5
Screw torque		Nm	0.8
Terminal protection degree			

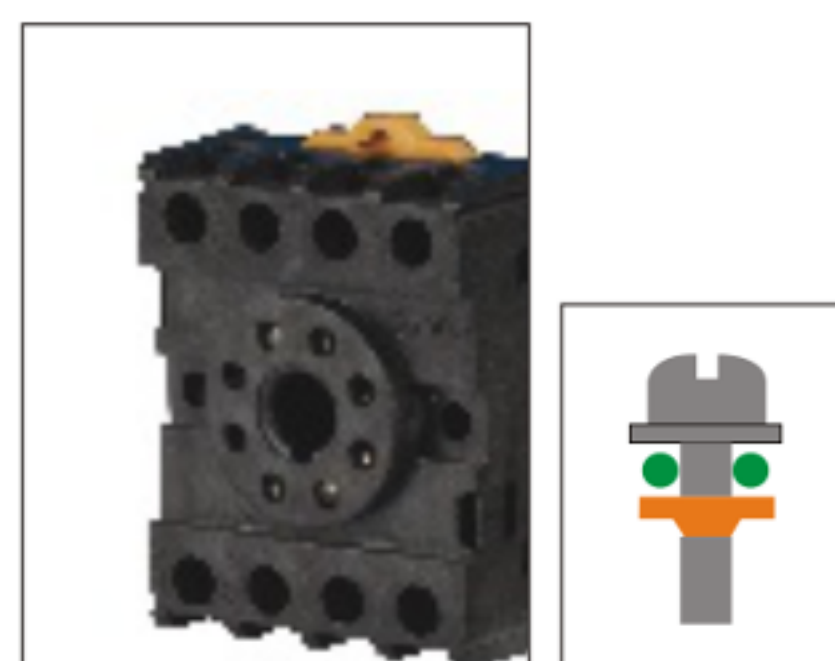
**Matched relay**

Socket model	Relay model	Metal Clip	Module	DIN clip
PF083A	MK2P MK2PK	K-53		
	JQX10-2Z			
	60.2 70.2			
	AS80.2			
	AS2P-U			

**Outline dimension, Wiring diagram**



PF083A-E



PF083A-E



**Specification**

Rated load	Current / Voltage	A/VAC	10/300
Dielectric strength	Coil/Contact	V/S	2000
	Between contacts	V/S	2000
External connection wire		AWG/mm <sup>2</sup>	20-16/0.5-1.5
Screw torque		Nm	0.8
Terminal protection degree			IP20

**Matched relay**

Socket model	Relay model	Metal Clip	Module	DIN clip
PF083A-E	MK2P MK2PK	K-53		
	JQX10-2Z			
	60.2 70.2			
	AS80.2			
	AS2P-U			

**Outline dimension, Wiring diagram**

